



# 9050 VEHICULAR SLIDE GATE OPERATOR



**entrapment**  
prevention system  
reverses gate on contact



**fail-safe release**  
Never be locked out (or in)  
of your property



**built in**  
power and reset switches

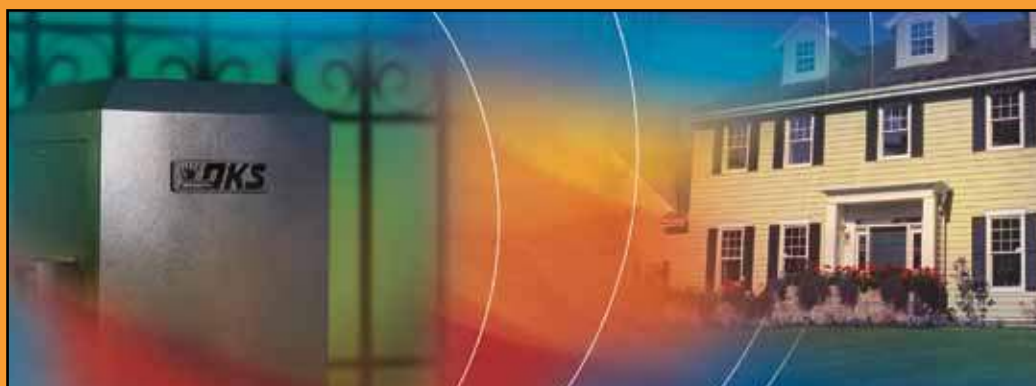


**unique design**  
allows easy access to all  
mechanical parts

- Electronic magnetic limits eliminate old style mechanical switches that can wear out, break or fail
- Automatic self-setting limits mean no limit switch adjustments – ever
- Safety – built-in mechanical and electronic reverse system
- Advanced microprocessor control board features programming switches to set the mode of operation required and has ports for DKS plug-in loop detectors to simplify wiring
- Convenience outlets for accessory transformers
- G90 galvanized steel frame prevents rusting
- This operator meets or exceeds the requirements of the UL 325 and UL 991 safety standards and is ETL Listed
- 5-year limited warranty

FEATURES

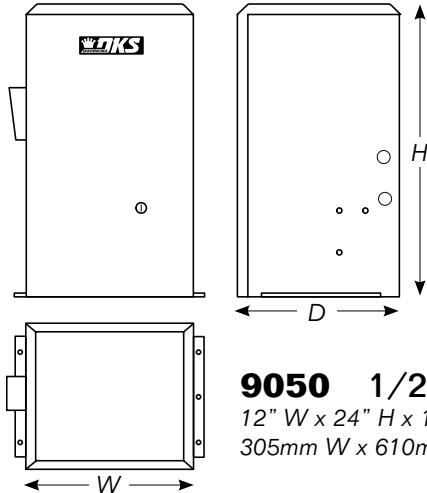
## ACCESS CONTROL SOLUTIONS





# 9050 VEHICULAR SLIDE GATE OPERATOR

The DKS 9050 slide gate operator offers convenience, reliability and safe operation in a small, compact design. The 9050 operator is ideally used in residential applications. The innovative fail-safe design of the operator significantly reduces the chance of injury or entrapment and makes this operator the safest slide gate operator in the market today! Designed with versatility in mind, the operator can be configured for front, center or rear drive applications and can be pad or post mounted.



**9050 1/2 HP**  
12" W x 24" H x 11.5" D  
305mm W x 610mm H x 292mm D

## 9050 Specs

Class of operation	Max Gate Length *	Max Gate Weight *	HP	Power
I	16 Ft 4.9 m	300 Lbs. 136 kg	1/2HP 10 cycles/hr limited duty	115 VAC, 60 Hz, 4.3A

\*Assumes gate to be in good condition and must be on a level surface

## General Specs

### Mechanical

- Primary Reduction: Single cog belt
- Chain: #40
- Speed: Approximately 10 in/sec (254 mm/sec)
- Cover: Steel cover is plated and painted
- Frame: G90 Galvanized steel to prevent rusting

### Manual Release

- Fail Safe: Push gate open
- Fail Secure: Keyed release optional

### Operator kit

includes chain brackets, hardware, and 20-feet (6 m) of #40 chain

### Safety

External obstruction sensing devices must be used with this operator

### Advanced Features

- Automatic limit adjustment
- Auto-close timer 1-23 sec
- Selectable stop / reverse loop function
- Built in On / Off switch
- Built in alarm reset switch
- Two 115 VAC convenience outlets for accessory transformers
- Automatically assumes fail-safe mode when an entrapment condition exists
- Ports for plug-in open and reverse loop detectors. DKS plug-in detectors only

### Options Available

- Nickel plated chain
- Stainless steel chain
- Plug-in loop detectors
- Heater kit for cold environments
- Base plate to post mount (posts not included)
- Fail-secure keyed release

### Safety Standards

Complies with the UL 325 and UL 991 safety standards  
ETL listed

### Operating Temp

10°F to 140°F  
12°C to 62°C  
Heater kit recommended for colder environments

### Shipping Weight

Approximately 70 lbs (31.8 kg)

### Warranty

5-year limited factory warranty

Distributed by:

### DOORKING, INC

120 Glasgow Avenue, Inglewood, California 90301 U.S.A. Tel: 310-645-0023 FAX: 310-641-1586 www.doorking.com

© 2011 All Rights Reserved. Product specifications may change without notice. Rev. 2/11

### MEMBER:

